



2021 Michigan Open Sunfish Championship

August 14-15, 2021

Gull Lake

Richland, Michigan



Come sail and race Sunfish sailboats on beautiful Gull Lake while meeting people from all over the Midwest and having great fun!

Entry Info:

www.gullakesailingclub.org

Email for information: gullakesunfish@gmail.com





2021 Sunfish Michigan Open Championship
August 14-15, 2021
Gull Lake Sailing Club
Gull Lake Sunfish Fleet
Hickory Corners/Richland, Michigan



NOTICE OF RACE

1 RULES

- 1.1** The regatta will be governed by the rules as defined in *The Racing Rules of Sailing with US Sailing prescriptions*.
- 1.2** All participants shall meet Michigan DNR Safety Rules.
See <http://www.boat-ed.com/michigan/handbook/book.html>.
- 1.3** All participants shall comply with current health and safety laws as prescribed by the State of Michigan Department of Health and Human Services.

2 ELIGIBILITY AND ENTRY

- 2.1** The regatta is open to all boats of the Sunfish Class.
- 2.2** Checks are accepted and should be made payable to Gull Lake Sailing Club and mailed to Gail Turluck, 1245 West Gull Lake Drive, Richland, Michigan 49083, along with Entry Form on Addendum 1, postmarked by July 30, 2021.
- 2.3** Late entries will be accepted under the following conditions: day of event registration will bring a late registration fee of \$20. The participant gift will be shipped. **Checks or cash only.**

3 MEASUREMENT

Boats and equipment must be compliant with current International Sunfish Class Association Class Rules as approved by World Sailing: <http://www.sailing.org/tools/documents/SUN2015CR171214-%5B18151%5D.pdf> and in force temporary provision by the US Sunfish Class Association for limited aftermarket parts. Boats may be selected for re-measurement at any time during the regatta by the USSCA Chief Measurer or an appointed representative.

4 FEES

- 4.1** Required fees include awards, memento, lunch, dinner on Saturday, breakfast, lunch on Sunday and are as follows:
The entry fee is \$80 if postmarked by July 30, 2021. Youth entry fee is \$25. Late entry fee is \$100.

5 SCHEDULE

Event	Day	Time	Notes
Registration	Friday	1700-1830 hrs	Turluck Residence
Registration	Saturday	0930-1030 hrs	Prairieville Twp. Park-Gull Lake
Lunch Distribution	Saturday	1030 hrs	Prairieville Twp. Park-Gull Lake
Competitor Meeting	Saturday	1100 hrs	Prairieville Twp. Park-Gull Lake
Race #1 Warning	Saturday	1200 hrs	Up to 3 races to follow
Refreshments	Saturday	1700 hrs	Prairieville Twp. Park-Gull Lake
Dinner	Saturday	1830 hrs	Turluck Residence
Breakfast	Sunday	0830 hrs	Turluck Residence
First Warning	Sunday	1015 hrs	Remaining races to follow
Lunch & Awards	Sunday	As soon as possible after racing concludes	

No race will start after 1300 hrs on Sunday

*There is an electronic gate at the park. Admission is \$8/day for vehicle or \$10/day for vehicle+trailer. We must pack up after Saturday racing. Trailers and/or boats on dollies may not be left in the park overnight. The park closes at 11:00 pm. We will have a lot available for trailer storage overnight if needed.

6 SAILING INSTRUCTIONS

The sailing instructions will be available at Registration.

7 VENUE

7.1 Prairieville Township Park-Gull Lake; 15475 M-43, Hickory Corners, MI.

7.2 Racing will be held on Gull Lake in Kalamazoo and Barry County, Michigan.

8 COURSES

The diagrams in Attachment A show the courses, including the approximate angles between legs, the order in which marks are to be passed, and the side on which each mark is to be left.

9 PENALTY SYSTEM

9.1 US Sailing Prescription Appendix V shall apply.

10 SCORING

10.1 The scoring system is as follows: Low Point Scoring System per Appendix A4.

10.2 One race is required to be completed to constitute a series.

11 RADIO COMMUNICATION

Except in an emergency, a boat shall neither make radio transmissions while racing nor receive radio communications not available to all boats. This restriction also applies to mobile telephones.

12 PRIZES

Prizes will be given as follows: Top five overall finishers. Top Youth finisher (Youth shall not turn age 19 in 2021).

13 DISCLAIMER OF LIABILITY

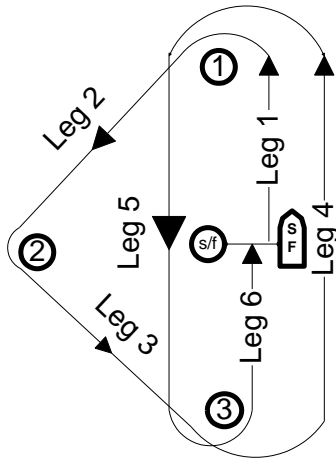
Competitors participate in the regatta entirely at their own risk. See rule 3, Decision to Race. The organizing authority will not accept any liability for material damage or personal injury or death sustained in conjunction with or prior to, during, or after the regatta.

14 FURTHER INFORMATION

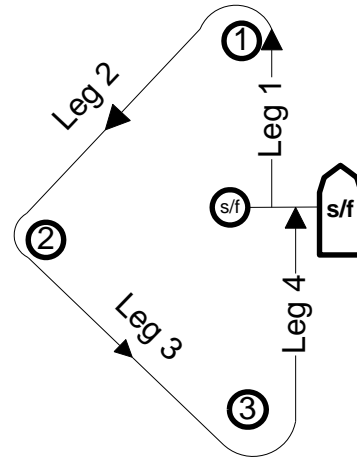
For further information please contact:

Gail M. Turluck, 1245 West Gull Lake Drive, Richland, MI 49083, 269.998.6353, gulllakesunfish@gmail.com

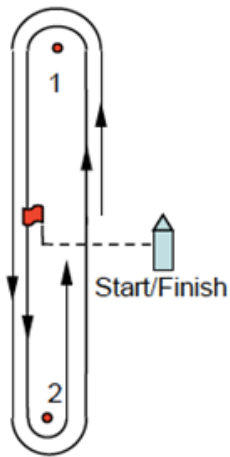
APPENDIX A



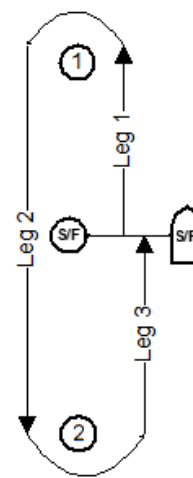
Course #1
Gold Cup



Course #2
Triangle



Course #3
Windward-Leeward
Twice Around



Course #4
Windward-Leeward
Once Around

Course #1: S - 1 - 2 - 3 - 1 - 3 - F

Course #2: S - 1 - 2 - 3 - F

Course #3: S - 1 - 2 - 1 - 2 - F

Course #4: S - 1 - 2 - F



2021 Sunfish Michigan Open Championship
August 14-15, 2021
Gull Lake Sailing Club
Gull Lake Sunfish Fleet
Hickory Corners/Richland, Michigan



NOTICE OF RACE
AMENDMENT #1

7 VENUE

- 7.1** The launch site is changed to a private member's home on the shore of Gull Lake a few miles from the Turluck residence. All contestants shall be notified of this location by email the evening of August 12, 2021 or may pick up the information at Friday registration at the Turluck residence.

2021 Sunfish Michigan Open Championship
Gull Lake Sailing Club | Gull Lake Sunfish Fleet
August 14-15, 2021 - Gull Lake – Hickory Corners/Richland, MI

Sponsors

Connective Marketing

Race Officials

The Principal Race Officer will be Dave Flook. Additional Race Officials will be Patricia Doran and John Nichols. The Technical Committee will be Gail Turluck.

Lodging and Camping Information

- Limited in-home housing available to guests who are fully COVID-19 vaccinated. Requests for in-home housing will be accommodated as much as possible. Camping will be available.

We're looking forward to having you as our guests! Email Gail M. Turluck, gulllakesunfish@gmail.com well in advance, please.

- Nearest hotel/motels are at I-94 and Sprinkle Road, about a 25 minute drive (in no particular order), *(IMPORTANT--make arrangements early; greater Kalamazoo has a very active tourist season):*

Baymont Inn & Suites Kalamazoo East, 3800 East Cork Street · Kalamazoo, 269.344.8300

Candlewood Suites Kalamazoo, 3443 Retail Pl Dr. · Kalamazoo, 269.270.3203

Comfort Inn, 1550 E. Kilgore Rd. · Kalamazoo, 269.344.7774

Country Inn and Suites, 1912 E. Kilgore Rd. · Portage, 269.382.2303

Four Points by Sheraton, 3600 E. Cork St. · Kalamazoo, 269.385.3922

Holiday Inn Express, 3630 E. Cork St. · Kalamazoo, 269.373.0770

Local Information

Nearby Stores

Harding's Market - 8900 Gull Road, Richland, MI 49083 (269) 629-4610

Meijer - 5800 Gull Road, Kalamazoo, MI 49001 (269) 382-6250

Richland Hardware - 8108 N 32nd St, Richland, MI 49083 (269) 629-9716

WalMart - 6065 Gull Road, Kalamazoo Township, MI 49048 (269) 373-0268

Menard's - 5300 Gull Rd, Kalamazoo, MI 49048 (269) 343-2269

Suggested Restaurants

Dandelion Cafe - 1396 E Gull Lake Dr, Hickory Corners, MI 49060 (269) 731-2005 (Sunday reservations required)

Great Grounds Coffee – 9010 E. D Ave., Richland, MI 49083 (269) 203-7754 (closed Sunday)

NEDS on Gull Lake - 15450 S M-43 Hwy, Hickory Corners, MI 49060 (269) 671-5700

Kitchen House – 9975 M-89, Richland, MI 49083 (269) 629-0221 (reservations recommended)

Canal Street Café – 113 E Canal St, Augusta, MI 49012 (269) 731-2622

Blue Stem - 15579 E Augusta Dr, Augusta, MI 49012 (269) 220-3977

South Kitchen – 12454 East D Ave, Richland, MI 49083 (269) 203-7372

Richland Pub - 8253 North 32nd Street, Richland, MI 49083 (269) 629-4511

Chicken House Takeout – 12443 East D Ave, Richland, MI 49083 (269) 629-0306

North 11 - 5585 Gull Rd # 117, Kalamazoo, MI 49048 (269) 381-8211

Activities

Airway Fun Center - 5626 Portage Rd, Portage, MI 49002 (269) 327-7061

Air Zoo - 6151 Portage Road, Portage, MI 49002 (269) 382-6555

Binder Park Zoo - 7400 Division Drive, Battle Creek, MI 49085 (269) 979-1351

Celery Flats Historical Area - 7335 Garden Lane, Portage, MI 49002 (269) 329-4522

Critchlow's Alligator Sanctuary - 1698 M-66, Athens, MI 49011 (269) 729-4802

Fort Custer National Cemetery - 15501 Dickman Road, Battle Creek, MI 49012 (269) 731-4164

Full Blast Recreation Center - 35 Hamblin Avenue, Battle Creek, MI 49017 (269) 966-3667

Gilmore Car Museum - 6865 Hickory Road, Hickory Corners, MI 49060 (269) 671-5089

Glass Art Kalamazoo, 326 W. Kalamazoo Ave, Kalamazoo, MI 49007 (269) 552-9802

Kalamazoo Institute of Arts - 314 S. Park Street, Kalamazoo, MI 49007 (269) 349-7775

Kalamazoo Nature Center, 7000 N. Westnedge Avenue, Kalamazoo, MI 49009 (269) 381-1574

Kalamazoo Valley Museum, 230 N. Rose Street, Kalamazoo, MI 49007 (269) 373-7990

Kellogg Bird Sanctuary, 3700 East Gull Lake Drive, Hickory Corners, MI 49060 (269) 671-5117

Leila Arboretum, 928 West Michigan Avenue, Battle Creek, MI 49085 (269) 969-0270

W.K. Kellogg Bird Sanctuary, 12685 East C Avenue, Battle Creek, MI 49012 (269) 671-2510

W.K. Kellogg Dairy Center, 10461 N. 40th Street, Hickory Corners, MI 49060 (269) 671-2356

W.K. Kellogg Experimental Forest, 7060 N. 42nd Street, Augusta, MI 49012 (269) 731-4597

W.K. Kellogg Manor House, 3700 Gull Lake Drive, Hickory Corners, MI 49060 (269) 671-2416

Wolf Lake State Fish Hatchery, 34270 County Road 652, Mattawan, MI 49071 (269) 668-2876

