



2021 Michigan Open Sunfish Championship

August 14-15, 2021

Gull Lake

Richland, Michigan



Come sail and race Sunfish sailboats on beautiful Gull Lake while meeting people from all over the Midwest and having great fun!

Entry Info:

www.gullakesailingclub.org

Email for information: gullakesunfish@gmail.com





2021 Sunfish Michigan Open Championship
August 14-15, 2021
Gull Lake Sailing Club
Gull Lake Sunfish Fleet
Hickory Corners/Richland, Michigan



NOTICE OF RACE

1 RULES

- 1.1 The regatta will be governed by the rules as defined in *The Racing Rules of Sailing with US Sailing prescriptions*.
- 1.2 All participants shall meet Michigan DNR Safety Rules.
See <http://www.boat-ed.com/michigan/handbook/book.html>.
- 1.3 All participants shall comply with current health and safety laws as prescribed by the State of Michigan Department of Health and Human Services.

2 ELIGIBILITY AND ENTRY

- 2.1 The regatta is open to all boats of the Sunfish Class.
- 2.2 Checks are accepted and should be made payable to Gull Lake Sailing Club and mailed to Gail Turluck, 1245 West Gull Lake Drive, Richland, Michigan 49083, along with Entry Form on Addendum 1, postmarked by July 30, 2021.
- 2.3 Late entries will be accepted under the following conditions: day of event registration will bring a late registration fee of \$20. The participant gift will be shipped. **Checks or cash only.**

3 MEASUREMENT

Boats and equipment must be compliant with current International Sunfish Class Association Class Rules as approved by World Sailing: <http://www.sailing.org/tools/documents/SUN2015CR171214-%5B18151%5D.pdf> and in force temporary provision by the US Sunfish Class Association for limited aftermarket parts. Boats may be selected for re-measurement at any time during the regatta by the USSCA Chief Measurer or an appointed representative.

4 FEES

- 4.1 Required fees include awards, memento, lunch, dinner on Saturday, breakfast, lunch on Sunday and are as follows:
The entry fee is \$80 if postmarked by July 30, 2021. Youth entry fee is \$25. Late entry fee is \$100.

5 SCHEDULE

5.1 Event	Day	Time	Notes
Registration	Friday	1700-1830 hrs	Turluck Residence
Registration	Saturday	0930-1030 hrs	Prairieville Twp. Park-Gull Lake
Lunch Distribution	Saturday	1030 hrs	Prairieville Twp. Park-Gull Lake
Competitor Meeting	Saturday	1100 hrs	Prairieville Twp. Park-Gull Lake
Race #1 Warning	Saturday	1200 hrs	Up to 3 races to follow
Refreshments	Saturday	1700 hrs	Prairieville Twp. Park-Gull Lake
Dinner	Saturday	1830 hrs	Turluck Residence
Breakfast	Sunday	0830 hrs	Turluck Residence
First Warning	Sunday	1015 hrs	Remaining races to follow
Lunch & Awards	Sunday	As soon as possible after racing concludes	

No race will start after 1300 hrs on Sunday

*There is an electronic gate at the park. Admission is \$8/day for vehicle or \$10/day for vehicle+trailer. We must pack up after Saturday racing. Trailers and/or boats on dollies may not be left in the park overnight. The park closes at 11:00 pm. We will have a lot available for trailer storage overnight if needed.

6 SAILING INSTRUCTIONS

The sailing instructions will be available at Registration.

7 VENUE

7.1 Prairieville Township Park-Gull Lake; 15475 M-43, Hickory Corners, MI.

7.2 Racing will be held on Gull Lake in Kalamazoo and Barry County, Michigan.

8 COURSES

The diagrams in Attachment A show the courses, including the approximate angles between legs, the order in which marks are to be passed, and the side on which each mark is to be left.

9 PENALTY SYSTEM

9.1 US Sailing Prescription Appendix V shall apply.

10 SCORING

10.1 The scoring system is as follows: Low Point Scoring System per Appendix A4.

10.2 One race is required to be completed to constitute a series.

11 RADIO COMMUNICATION

Except in an emergency, a boat shall neither make radio transmissions while racing nor receive radio communications not available to all boats. This restriction also applies to mobile telephones.

12 PRIZES

Prizes will be given as follows: Top five overall finishers. Top Youth finisher (Youth shall not turn age 19 in 2021).

13 DISCLAIMER OF LIABILITY

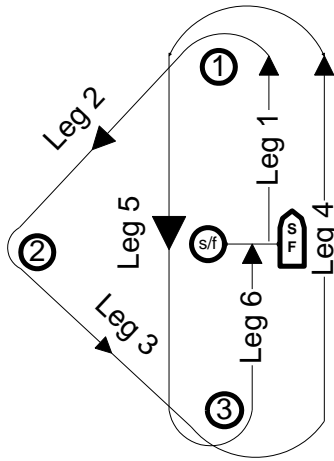
Competitors participate in the regatta entirely at their own risk. See rule 3, Decision to Race. The organizing authority will not accept any liability for material damage or personal injury or death sustained in conjunction with or prior to, during, or after the regatta.

14 FURTHER INFORMATION

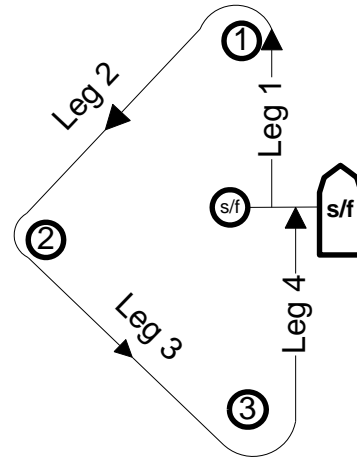
For further information please contact:

Gail M. Turluck, 1245 West Gull Lake Drive, Richland, MI 49083, 269.998.6353, gulllakesunfish@gmail.com

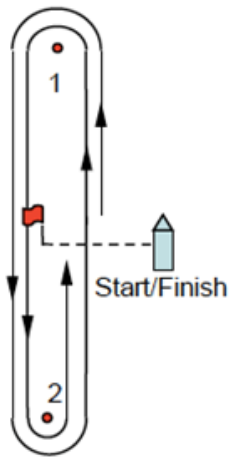
APPENDIX A



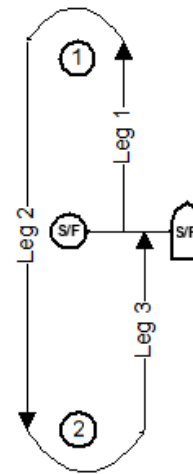
Course #1
Gold Cup



Course #2
Triangle



Course #3
Windward-Leeward
Twice Around



Course #4
Windward-Leeward
Once Around

Course #1: S - 1 - 2 - 3 - 1 - 3 - F

Course #2: S - 1 - 2 - 3 - F

Course #3: S - 1 - 2 - 1 - 2 - F

Course #4: S - 1 - 2 - F

2021 Sunfish Michigan Open Championship
Gull Lake Sailing Club | Gull Lake Sunfish Fleet
August 14-15, 2021 - Gull Lake – Hickory Corners/Richland, MI

Sponsors

Connective Marketing

Race Officials

The Principal Race Officer will be Dave Flook. Additional Race Officials will be Patricia Doran and John Nichols. The Technical Committee will be Gail Turluck.

Lodging and Camping Information

- Limited in-home housing available to guests who are fully COVID-19 vaccinated. Requests for in-home housing will be accommodated as much as possible. Camping will be available.
We're looking forward to having you as our guests! Email Gail M. Turluck, gulllakesunfish@gmail.com well in advance, please.
- Nearest hotel/motels are at I-94 and Sprinkle Road, about a 25 minute drive (in no particular order), *(IMPORTANT--make arrangements early; greater Kalamazoo has a very active tourist season):*
Baymont Inn & Suites Kalamazoo East, 3800 East Cork Street · Kalamazoo, 269.344.8300
Candlewood Suites Kalamazoo, 3443 Retail Pl Dr. · Kalamazoo, 269.270.3203
Comfort Inn, 1550 E. Kilgore Rd. · Kalamazoo, 269.344.7774
Country Inn and Suites, 1912 E. Kilgore Rd. · Portage, 269.382.2303
Four Points by Sheraton, 3600 E. Cork St. · Kalamazoo, 269.385.3922
Holiday Inn Express, 3630 E. Cork St. · Kalamazoo, 269.373.0770

Local Information

Nearby Stores

Harding's Market - 8900 Gull Road, Richland, MI 49083 (269) 629-4610
Meijer - 5800 Gull Road, Kalamazoo, MI 49001 (269) 382-6250
Richland Hardware - 8108 N 32nd St, Richland, MI 49083 (269) 629-9716
WalMart - 6065 Gull Road, Kalamazoo Township, MI 49048 (269) 373-0268
Menard's - 5300 Gull Rd, Kalamazoo, MI 49048 (269) 343-2269

Suggested Restaurants

Dandelion Cafe - 1396 E Gull Lake Dr, Hickory Corners, MI 49060 (269) 731-2005 (Sunday reservations required)
Great Grounds Coffee – 9010 E. D Ave., Richland, MI 49083 (269) 203-7754 (closed Sunday)
NEDS on Gull Lake - 15450 S M-43 Hwy, Hickory Corners, MI 49060 (269) 671-5700
Kitchen House – 9975 M-89, Richland, MI 49083 (269) 629-0221 (reservations recommended)
Canal Street Café – 113 E Canal St, Augusta, MI 49012 (269) 731-2622
Blue Stem - 15579 E Augusta Dr, Augusta, MI 49012 (269) 220-3977
South Kitchen – 12454 East D Ave, Richland, MI 49083 (269) 203-7372
Richland Pub - 8253 North 32nd Street, Richland, MI 49083 (269) 629-4511
Chicken House Takeout – 12443 East D Ave, Richland, MI 49083 (269) 629-0306
North 11 - 5585 Gull Rd # 117, Kalamazoo, MI 49048 (269) 381-8211

Activities

Airway Fun Center - 5626 Portage Rd, Portage, MI 49002 (269) 327-7061
Air Zoo - 6151 Portage Road, Portage, MI 49002 (269) 382-6555
Binder Park Zoo - 7400 Division Drive, Battle Creek, MI 49085 (269) 979-1351
Celery Flats Historical Area - 7335 Garden Lane, Portage, MI 49002 (269) 329-4522
Critchlow's Alligator Sanctuary - 1698 M-66, Athens, MI 49011 (269) 729-4802
Fort Custer National Cemetery - 15501 Dickman Road, Battle Creek, MI 49012 (269) 731-4164
Full Blast Recreation Center - 35 Hamblin Avenue, Battle Creek, MI 49017 (269) 966-3667
Gilmore Car Museum - 6865 Hickory Road, Hickory Corners, MI 49060 (269) 671-5089
Glass Art Kalamazoo, 326 W. Kalamazoo Ave, Kalamazoo, MI 49007 (269) 552-9802
Kalamazoo Institute of Arts - 314 S. Park Street, Kalamazoo, MI 49007 (269) 349-7775
Kalamazoo Nature Center, 7000 N. Westnedge Avenue, Kalamazoo, MI 49009 (269) 381-1574
Kalamazoo Valley Museum, 230 N. Rose Street, Kalamazoo, MI 49007 (269) 373-7990
Kellogg Bird Sanctuary, 3700 East Gull Lake Drive, Hickory Corners, MI 49060 (269) 671-5117
Leila Arboretum, 928 West Michigan Avenue, Battle Creek, MI 49085 (269) 969-0270
W.K. Kellogg Bird Sanctuary, 12685 East C Avenue, Battle Creek, MI 49012 (269) 671-2510
W.K. Kellogg Dairy Center, 10461 N. 40th Street, Hickory Corners, MI 49060 (269) 671-2356
W.K. Kellogg Experimental Forest, 7060 N. 42nd Street, Augusta, MI 49012 (269) 731-4597
W.K. Kellogg Manor House, 3700 Gull Lake Drive, Hickory Corners, MI 49060 (269) 671-2416
Wolf Lake State Fish Hatchery, 34270 County Road 652, Mattawan, MI 49071 (269) 668-2876

**ENTRY FORM
2021 SUNFISH MICHIGAN OPEN CHAMPIONSHIP**

Gull Lake Sailing Club
Gull Lake Sunfish Fleet (GLSF)
August 14-15, 2021 - Gull Lake – Richland/Hickory Corners, MI

Please print this form, complete it, and mail with a check
(Checks should be made out to **Gull Lake Sailing Club**) to:

**Early Entry Discount Deadline:
Postmark by July 30, 2021**

Gail M. Turluck, 1245 West Gull Lake Drive, Richland, Michigan 49083

Competitor's Name _____

Address _____

City _____ State _____ Zip _____

Phone (_____) _____ Cell (_____) _____

E-mail _____

Yacht Club Affiliation _____

Boat Name _____

Sail Number _____

Regatta Fee includes: refreshments, lunch and dinner on Saturday, breakfast and lunch on Sunday, T-shirt, and trophies.

Registration Fee - \$80 if postmarked by July 30, 2021, \$100 thereafter;
Youth (not 19 in 2021) \$25. \$ _____

Check Shirt Size - (Small, Medium and 2XL **must** be ordered ahead – register/order early)
Unisex: S M L XL 2XL

Extra Shirts \$15 each \$ _____
(indicate how many and what size(s), please) _____

Extra Dinners - \$15 each Extra Dinner. How many? _____ \$ _____

TOTAL \$ _____

I agree to be bound by The Racing Rules of Sailing and by all other rules that govern this event.

A RELEASE OF LIABILITY SIGNATURE IS REQUIRED FOR EACH PARTICIPANT

The undersigned, fully recognizing and acknowledging the inherent risk in sailing activities hereby releases the Gull Lake Sailing Club, its officers and agents, any municipalities, any park officers or their agents, from any and all liabilities arising out of, or as a result of, any accident or injury while participating in activities that are sanctioned, promoted or sponsored by the Gull Lake Sailing Club whether deemed through negligence or not on the part of any of the aforementioned persons or entities.

Applicant Signature _____ Date _____

THE FOLLOWING MUST BE COMPLETED IF AN APPLICANT IS A MINOR:

The undersigned Parent or Guardian, fully recognizing and acknowledging the inherent risk in sailing activities, hereby releases the Gull Lake Sailing Club, its officers and agents, any municipalities, any park officers or their agents, from any and all liabilities arising out of, or as a result of, any accident or injury while participating in activities that are sanctioned, promoted, or sponsored by the Gull Lake Sailing Club whether deemed through negligence or not on the part of any of the aforementioned persons or entities.

Parent or Guardian Signature _____ Date _____

Any questions, contact:

Gail M. Turluck, 1245 West Gull Lake Drive, Richland, MI 49083, 269.998.6353, gulllakesunfish@gmail.com