



**2021 Gull Lake Sailing Club
Season Series
May 19-September 22, 2021
Gull Lake, Michigan
Notice of Series**

1 RULES

- 1.1 The event is governed by the rules as defined in the 2021-2024 Racing Rules of Sailing with US Sailing Prescriptions.
1.2 If there is a conflict between languages the English text takes precedence.

2 SAILING INSTRUCTIONS

- 2.1 The sailing instructions follow this Notice and shall be available at www.gulllakesunfishclub.org.

3 COMMUNICATION

- 3.1 The online official notice board is located at <https://www.facebook.com/groups/gulllakesailingclubgroup>.

4 ELIGIBILITY AND ENTRY

- 4.1 The event is open to all boats of any one-design class with 3 or more boats whose owners are 2021 members of Gull Lake Sailing Club.
4.2 Eligible boats may enter by completing the membership application and entry form and submitting it, together with the required fee, to Larry Carter, Gull Lake Sailing Club Treasurer, 263 S Gull Lake Dr, Richland, MI 49083, before competing in its first race.
4.3 Boats shall notify the Commodore by email to gulllakesunfish@gmail.com by Tuesday at 5:00 pm EDT each week of their intent to compete the following day.
4.4 Late entries will not be accepted, that is, membership application, entry form and dues shall be submitted for races to count.

5 CREW LIMITATIONS

- 5.1 The following crew limitations apply: limitations as provided in Class rules for competing boats.

6 SCHEDULE

- 6.1 Dates of racing: Wednesdays, May 19, 2021 through September 22, 2021.
The Annual Island Race Championship will be on a Sunday in September or October.
6.2 Number of races: The goal shall be to have four (4) races per day. This may be shortened due to weather and or daylight.
6.3 The scheduled time of the warning signal for the first race each day is 1830. The scheduled time of the warning signal for the first race of the last scheduled day of racing is 1800.
6.4 On the last scheduled day of racing no warning signal will be made after 1915.

7 EQUIPMENT INSPECTION

- 7.1 Each boat shall be in compliance with its current Class Rules.

8 VENUE

- 8.1 The launch site is at Prairieville Township Park-Gull Lake, 15475 S. M-43 Hwy., Hickory Corners, MI 49060.
8.2 The racing area is Gull Lake, Hickory Corners and Richland, Michigan.

9 COURSES

- 9.1 The courses to be sailed will be windward-leeward, triangles, or combinations thereof. Appendix A show the courses, including the approximate angles between legs, and the order in which marks are to be passed. Courses may be set with marks to be passed to port or starboard.
9.2 The marks that may be used are orange balls or cylinders.

10 PENALTY SYSTEM

- 10.1 RRS 44.1 is changed so that the Two-Turns Penalty is replaced by the One-Turn Penalty.

11 SCORING

- 11.1 The scoring system is as follows: Low Point Scoring System per Appendix A4.
11.2 Twelve races are required to be completed to constitute a series.
11.3 Twelve races shall be completed by a boat to qualify for season scoring.
11.4 When twelve or more races have been sailed by a boat, her series score will be the average of her race scores. Lowest average race score wins.
11.5 There are no discard races.
11.6 Missed races do not count. Half season entries must meet the series qualification in 11.3.

12 RISK STATEMENT

- 12.1 RRS 3 states: 'The responsibility for a boat's decision to participate in a race or to continue to race is hers alone.' By participating in this event each competitor agrees and acknowledges that sailing is a potentially dangerous activity with inherent risks. These risks include strong winds and rough seas, sudden changes in weather, failure of equipment, boat handling errors, poor seamanship by other boats, loss of balance on an unstable platform and fatigue resulting in increased risk of injury. Inherent in the sport of sailing is the risk of permanent, catastrophic injury or death by drowning, trauma, hypothermia or other causes.

13 INSURANCE

- 13.1 Each participating boat is recommended to be insured with valid third-party liability insurance with a minimum cover of \$300,000 per incident or the equivalent.

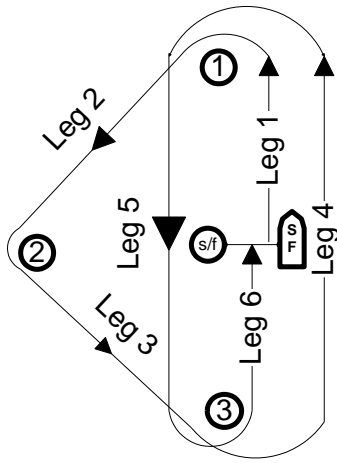
14 PRIZES

14.1 Prizes will be given as follows: Top three finishers in each Class Gold Fleet and Silver Fleet. Top Woman finisher in each Class. Top Junior finisher in each Class.

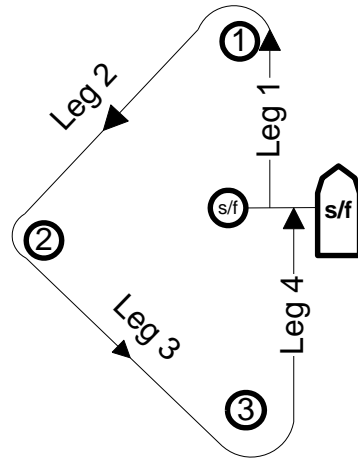
15 FURTHER INFORMATION

15.1 For further information please contact Gail Turluck, gulllakesunfish@gmail.com, 269.447.1130. Our weekly newsletter will have updates.

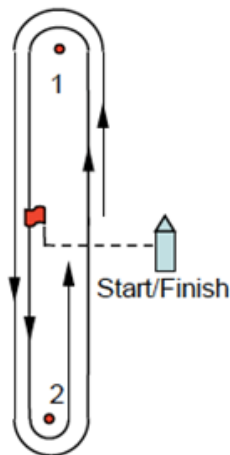
APPENDIX A



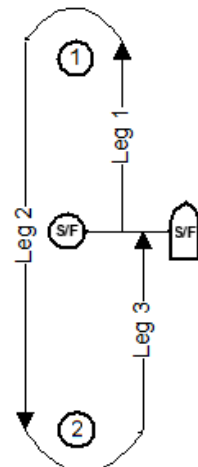
Course #1
Gold Cup



Course #2
Triangle



Course #3
Windward-Leeward
Twice Around



Course #4
Windward-Leeward
Once Around

Course #1: S-1-2-3-1-3-F

Course #2: S-1-2-3-F

Course #3: S-1-2-1-2-F

Course #4: S-1-2-F



**2021 Gull Lake Sailing Club
Season Series
May 19-September 22, 2021
SAILING INSTRUCTIONS**

1 RULES

- 1.1 The event is governed by the rules as defined in *The Racing Rules of Sailing with US Sailing Prescriptions*.
1.2 Class rules requiring competitors to be members of the Class Association do not apply. It is recommended competitors be members of their Class Association.

2 CHANGES TO SAILING INSTRUCTIONS

- 2.1 Any change to the sailing instructions will be emailed before 1800 the day before the day it will take effect.
2.2 Changes to a sailing instruction may be made on the water by verbal announcement from the Race Committee boat.

3 COMMUNICATIONS WITH COMPETITORS

- 3.1 Notices to competitors will be posted on the official notice board located at <https://www.facebook.com/groups/gulllakesailingclubgroup>.

4 SCHEDULE OF RACES

- 5.1 **Weekly Wednesday Night Racing**
- | | Time | Notes |
|-----------------|-------------|--|
| Rigging | 1700-1800 | Prairieville Twp. Park-Gull Lake Launch Ramp |
| Race #1 Warning | 1830 | Up to 3 more races to follow |
- 5.2 To alert boats that a race or sequence of races will begin soon, the orange starting line flag will be displayed with one sound at least one minute before a warning signal is made.

6 CLASS FLAGS

- 6.1 Sunfish: The Class flag will be the official Sunfish Class flag: a white flag with red Sunfish emblem.
Other: Additional Classes shall be designated as added.

7 RACING AREA

- 7.1 The racing area is Gull Lake, Hickory Corners and Richland, Michigan.

8 COURSES

- 8.1 The diagram below shows the courses, including the approximate angles between legs, and the order in which marks are to be passed. Courses may be set with marks to be passed to port or starboard.

9 MARKS

- 9.1 Marks are orange or red balls or orange cylinders.

10 THE START

- 10.1 Races will be started using RRS 26 with the warning signal made five minutes before the starting signal.
10.2 The starting line is between a staff displaying an orange flag on the signal vessel and the course side of the opposite end starting mark.
10.3 Boats whose warning signal has not been made shall avoid the starting area during the starting sequence for other races.
10.4 If any part of a boat's hull is on the course side of the starting line at her starting signal and she is identified, the race committee will attempt to hail her sail number. Failure to hail her number, failure of her to hear such a hail, or the order in which boats are hailed will not be grounds for a redress for request. This changes RRS 62.1(a).

11 CHANGE OF THE NEXT LEG OF THE COURSE

- 11.1 To change the next leg of the course, the race committee will move the original mark or the finishing line to a new position.

12 THE FINISH

- 12.1 The finishing line is between a staff displaying an orange or blue flag on the signal boat and the orange buoy at the other end.
12.2 If the race committee is absent when a boat finishes, she shall report her position in relation to nearby boats to the race committee at the first reasonable opportunity.

13 PENALTY SYSTEM

- 13.1 RRS 44.1 is changed so that the Two-Turns Penalty is replaced by the One-Turn Penalty.

14 TIME LIMITS [AND TARGET TIMES]

- 14.1 The Mark 1 Time Limit, Race Time Limit (see RRS 35), and the Finishing Window are shown in the table below.

Time limits and target times are as follows:

Class	Mark 1 time limit	Race Time limit	Finishing Window	Target total race time
Sunfish	25 min.	1 hr.	20 min.	30 min.

- 14.2 If no boat has passed the first mark within the Mark 1 Time Limit, the race will be abandoned.
14.3 The Finishing Window is the time for boats to finish after the first boat sails the course and finishes. Boats failing to finish within the Finishing Window, and not subsequently retiring, penalized or given redress, will be scored Time Limit Expired (TLE) without a hearing. A boat scored TLE shall be scored points for the finishing place one more than the points scored by the last boat that finished within the Finishing Window. This changes RRS 35, A5.1, A5.2 and A10.
14.4 Failure to meet the Target Time will not be grounds for redress. This changes RRS 62.1(a).

15 HEARING REQUESTS

- 15.1 The protest time limit is 2200 the same day of racing.

- 15.2 Hearing request forms are available at <https://www.facebook.com/groups/gulllakesailingclubgroup> or from the Race Committee. Hearing Decision forms are available at <https://www.facebook.com/groups/gulllakesailingclubgroup> or from the Race Committee.
- 15.3 Notices will be posted no later than 0900 the following day at <https://www.facebook.com/groups/gulllakesailingclubgroup> to inform competitors of hearings in which they are parties or named as witnesses. Hearings will be held on the patio at the Turluck Residence in Richland, Michigan, beginning at 1830 that same following day.

14 SCORING

- 14.1 The scoring system is as follows: Low Point Scoring System per Appendix A4.
- 14.2 Twelve races are required to be completed to constitute a series.
- 14.3 Twelve races shall be completed by a boat to qualify for season scoring.
- 14.4 When twelve or more races have been sailed by a boat, her series score will be the average of her race scores. Lowest average race score wins.
- 14.5 There are no discard races.
- 14.6 Missed races do not count. Half season entries must meet the series qualification in 14.2.

15 SAFETY REGULATIONS

- 15.1 All participants shall meet Michigan DNR Safety Rules. See <http://www.boat-ed.com/michigan/handbook/book.html>.
- 15.2 All participants shall comply with current health and safety laws as prescribed by the State of Michigan Department of Health and Human Services.
- 15.3 A boat that retires from a race shall notify the race committee at the first reasonable opportunity.

16 OFFICIAL VESSELS

- 16.1 Official vessels will be identified as follows: a pontoon boat with a blue Race Committee flag.

17 PRIZES

- 17.1 Prizes will be given as follows:

Sunfish Gold Fleet	First to third place
Sunfish Silver Fleet	First to third place
Sunfish Womens Fleet	First place
Sunfish Youth Fleet	First place

Other Classes will compete for similar prizes according to their Fleet size.

A Silver Fleet winner shall be promoted to Gold Fleet after winning Silver Fleet twice.

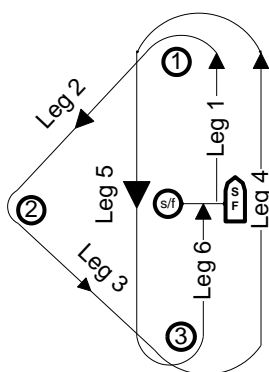
18 RISK STATEMENT

- 18.1 RRS 3 states: 'The responsibility for a boat's decision to participate in a race or to continue to race is hers alone.' By participating in this event each competitor agrees and acknowledges that sailing is a potentially dangerous activity with inherent risks. These risks include strong winds and rough seas, sudden changes in weather, failure of equipment, boat handling errors, poor seamanship by other boats, loss of balance on an unstable platform and fatigue resulting in increased risk of injury. **Inherent in the sport of sailing is the risk of permanent, catastrophic injury or death by drowning, trauma, hypothermia or other causes.**

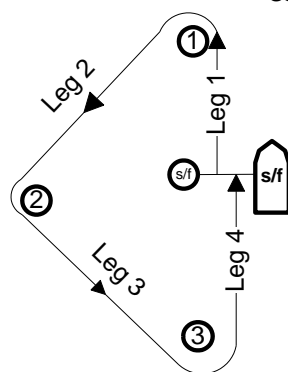
19 INSURANCE

- 19.1 Each participating boat is recommended to be insured with valid third-party liability insurance with a minimum cover of \$300,000 per incident or the equivalent.

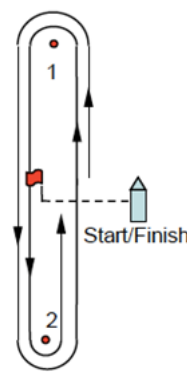
COURSES



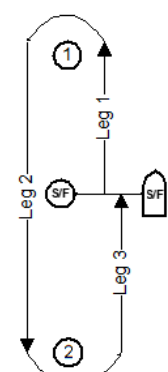
Course #1
Gold Cup



Course #2
Triangle



Course #3
Windward-Leeward
Twice Around



Course #4
Windward-Leeward
Once Around

Course #1: S - 1 - 2 - 3 - 1 - 3 - F

Course #2: S - 1 - 2 - 3 - F

Course #3: S - 1 - 2 - 1 - 2 - F

Course #4: S - 1 - 2 - F



**2021 Application for Membership
Gull Lake Sailing Club
Richland, Michigan**

Membership is open to centerboard and multihull sailboat sailors and their supporters.

I hereby apply for membership in Gull Lake Sailing Club (please print neatly).

Name _____

Address _____

City _____ ST _____ Zip _____

Phone: _____ Mobile Home Work

Email: _____

Boat Type: Sunfish (fill in Class) _____ Sail # _____

Fleet Gold Silver Womens Junior

Gold Fleet is for experienced racers confident in their knowledge of the Racing Rules of Sailing.

Silver Fleet is for developing sailors. An individual that has won Silver Fleet twice shall be a Gold Fleet sailor.

Membership

- Family (Member w/spouse or single adults, and their children) \$200
- Regular \$150
- Collegian (Under age 26, must provide photocopy of valid Student I.D.) \$ 75
- Associate (Non-sailing Members) \$ 20
- Junior (not age 19 or older this calendar year) \$ 25
- Half Season Regular (after July 15, **First-time Members Only**) \$ 75

Emergency Contact

Name _____ Phone _____

All participants shall meet Michigan DNR Safety Rules. See <https://www.boat-ed.com/michigan/handbook/book.html>.

All participants shall comply with current health and safety laws as prescribed by the State of Michigan Department of Health and Human Services.

A RELEASE OF LIABILITY SIGNATURE IS REQUIRED FOR EACH PARTICIPANT

The undersigned, fully recognizing and acknowledging the inherent risk in sailing activities hereby releases the Gull Lake Sailing Club, its officers and agents, any municipalities, any park officers or their agents, from any and all liabilities arising out of, or as a result of, any accident or injury while participating in activities that are sanctioned, promoted or sponsored by the Gull Lake Sailing Club whether deemed through negligence or not on the part of any of the aforementioned persons or entities.

Applicant Signature _____ Date _____

THE FOLLOWING MUST BE COMPLETED IF AN APPLICANT IS A MINOR:

The undersigned Parent or Guardian, fully recognizing and acknowledging the inherent risk in sailing activities, hereby releases the Gull Lake Sailing Club, its officers and agents, any municipalities, any park officers or their agents, from any and all liabilities arising out of, or as a result of, any accident or injury while participating in activities that are sanctioned, promoted, or sponsored by the Gull Lake Sailing Club whether deemed through negligence or not on the part of any of the aforementioned persons or entities.

Parent or Guardian Signature _____ Date _____

Complete form, sign, and send it with your check payable to Gull Lake Sailing Club,
Mail to: Larry Carter, GLSC Treasurer, 263 S Gull Lake Dr, Richland, MI 49083.

NOTE: Prairieville Township Park-Gull Lake ramp permits must be acquired separately, available here: <https://bit.ly/2Ro49IP>.